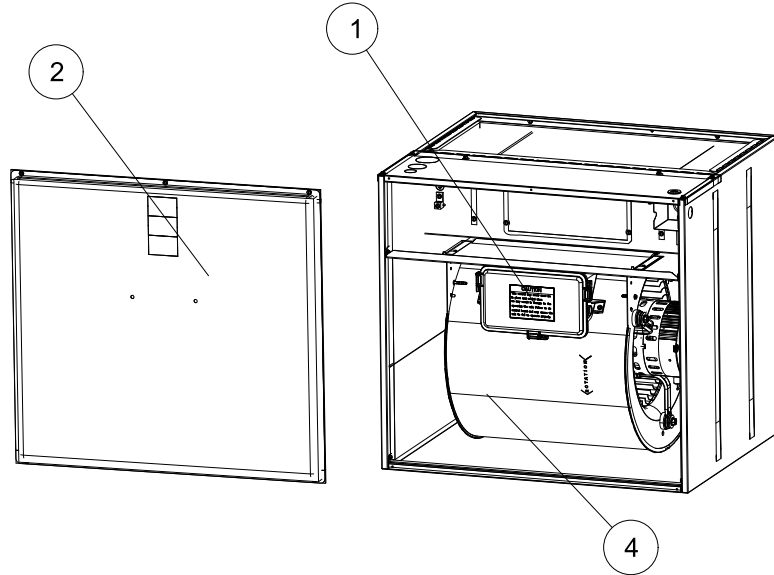


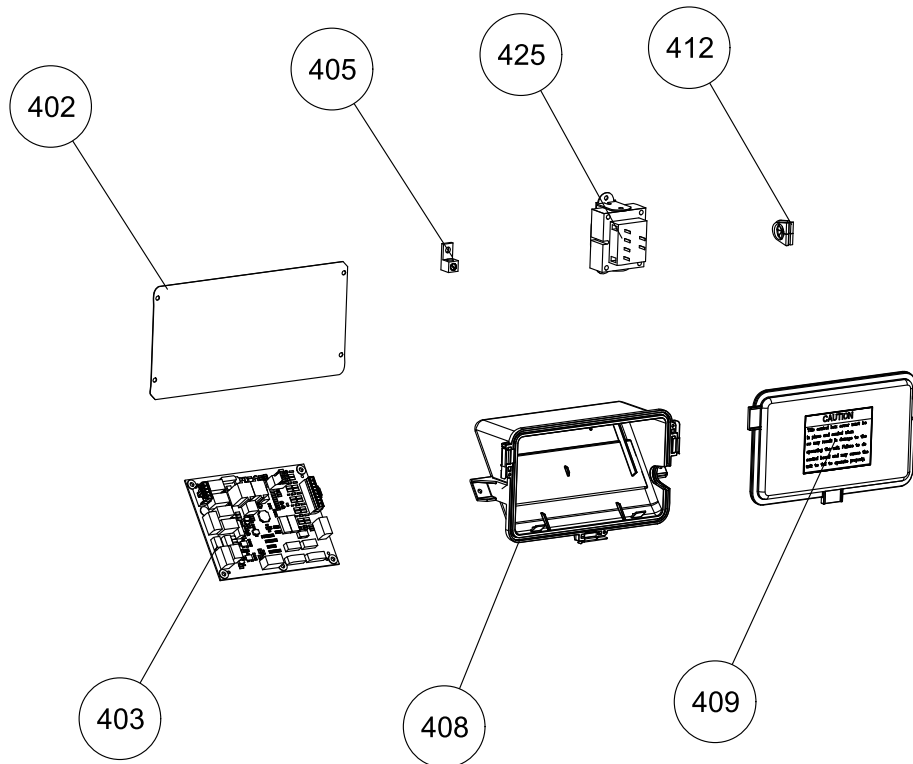
JMVT SERIES MODULAR BLOWER ECM MOTORS**REPAIR PARTS LIST**

PRINTED DATE: 1/27/2025

The information provided to you may include Johnson Controls' trade secrets, intellectual property, and confidential business information (including its Bill of Materials), and this information is to be kept in the strictest confidence and not to be disclosed to any third party without the prior written consent of Johnson Controls.

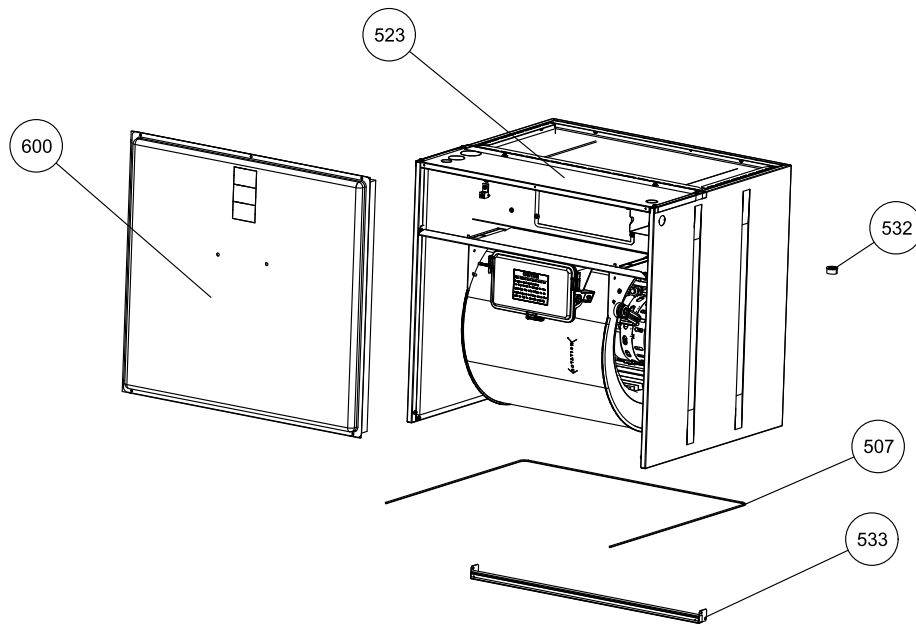


Section	Description
1	ELECTRICAL BOX / CONTROLS
2	SHEET METAL / CABINET PARTS
4	INDOOR BLOWER PARTS
8	MISCELLANEOUS
9	WIRING DIAGRAM / VFD PARAMETER
10	HARNESSES


Section : ELECTRICAL BOX / CONTROLS

Section	Callout	Replacement Part #	Description	Original Part #	JMVT12B C2N1	JMVT16C C2N1	JMVT17C C2N1	JMVT20D C2N1	
1	402	S1-07339412001	COVER,HEAT	S1-07339412001	1	1	1	1	
1	403	S1-33103885000	BOARD,CIRCUIT,JHVT/JHVV/JMVT	S1-33103885000	1	1	1	1	
1	405	S1-02521798000	LUG,GROUND,ELECTRICAL ALUMINUM 1.06 X .5	S1-02521798000	1	1	1	1	
1	408	S1-02818905000	BOX,CONTROL,PLASTIC,W/CLIPS	S1-02818905000	1	1	1	1	
1	409	S1-02818906000	COVER,CONTROL BOX,PLASTIC	S1-02818906000	1	1	1	1	
1	425	S1-02518452700	TRNSF,208/240V,24V/40VA,50/60 HZ	S1-02518452700	1	1	1	1	

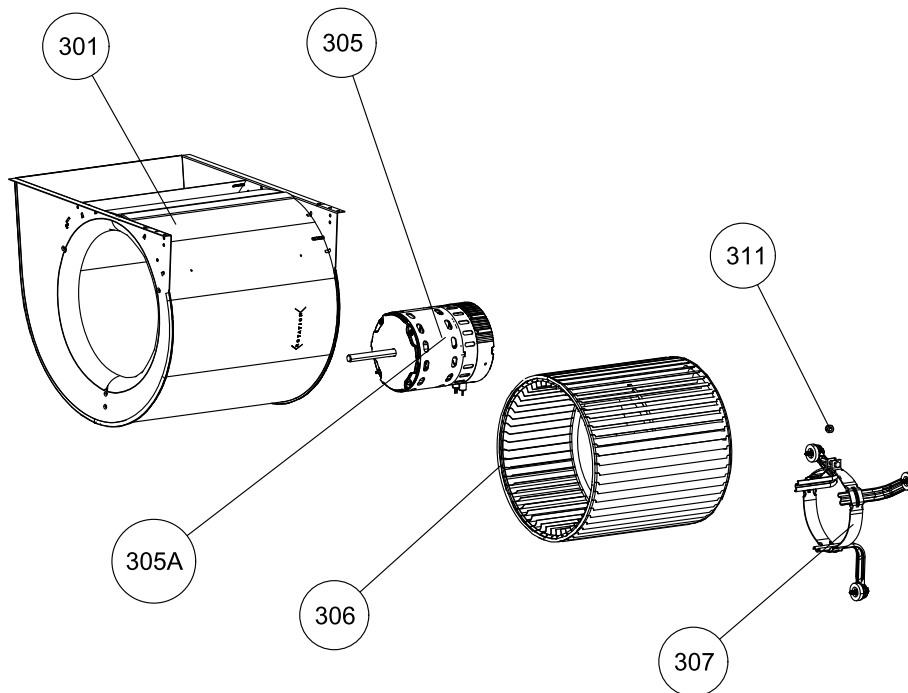
Suggested stocking items are shown with shaded item number.



Section : SHEET METAL / CABINET PARTS

Section	Callout	Replacement Part #	Description	Original Part #	JMVT12B C2N1	JMVT16C C2N1	JMVT17C C2N1	JMVT20D C2N1	
2	507	S1-02925441000	INSULATION RETAINER,B-CABINET	S1-02925441000	1				
2	507	S1-02925442000	INSULATION RETAINER,C-CABINET	S1-02925442000		1	1		
2	507	S1-02925443000	INSULATION RETAINER,D-CABINET	S1-02925443000				1	
2	523	S1-37348867001	PNL,ASSEM,TOP,W/INSUL,17.5,CHAMP	S1-37348867001	1				
2	523	S1-37348868001	PNL,ASSEM,TOP,W/INSUL,21.0,CHAMP	S1-37348868001		1	1		
2	523	S1-37348869001	PNL,ASSEM,TOP,W/INSUL,24.5,CHAMP	S1-37348869001				1	
2	533	S1-37348963001	BRACE,LOWER,W/INSUL,MB 17.5	S1-37348963001	1				
2	533	S1-37348964001	BRACE,LOWER,W/INSUL,MB 21.0	S1-37348964001		1	1		
2	533	S1-37348965001	BRACE,LOWER,W/INSUL,MB 24.5	S1-37348965001				1	
2	600	S1-37348888001	PNL,ASSEM,UPPER ACCESS,17.5,CHAMP	S1-37348888001	1				
2	600	S1-37348890001	PNL,ASSEM,UPPER ACCESS,21.0,CHAMP	S1-37348890001		1	1		
2	600	S1-37348892001	PNL,ASSEM,UPPER ACCESS,24.5,CHAMP	S1-37348892001				1	

Suggested stocking items are shown with shaded item number.


Section : INDOOR BLOWER PARTS

Section	Callout	Replacement Part #	Description	Original Part #	JMVT12B C2N1	JMVT16C C2N1	JMVT17C C2N1	JMVT20D C2N1	
4	301	S1-37348827001	HOUSING,BLOWER,11-8,AHU/MOD	S1-37348827001	1				
4	301	S1-37348828001	HOUSING,BLOWER,11-10,AHU/MOD	S1-37348828001		1	1		
4	301	S1-37348829001	HOUSING,BLOWER,11-11,AHU/MOD	S1-37348829001				1	
4	305	S1-02442189000	MTR,BLW,CLIMATETALK,1/2,230V,ECM,B OCEAN	S1-02442189000	1				
4	305	S1-02442190000	MTR,BLW,CLIMATETALK,3/4,230V,ECM,B OCEAN	S1-02442190000		1			
4	305	S1-02442191000	MTR,BLW,CLIMATETALK,1,230V,ECM,B OCEAN	S1-02442191000			1	1	
4	306	S1-02619654012	WHL,BLW,11 X 10,CW,1/2 BORE	S1-02634501000		1	1		
4	306	S1-02638510000	WHL,BLW 11X11,CW,1/2" BORE	S1-02638510000				1	
4	306	S1-02650615000	WHL,BLW,11-8	S1-02650615000	1				
4	307	S1-32650612001	MOUNT,ASSEMBLY,BLWR MOTOR	S1-32650612001	1	1	1	1	
4	311	S1-02108968000	NUT,HEX,SELF LOCKING,1/4-20	S1-02108968000	1	1	1	1	

Suggested stocking items are shown with shaded item number.

Section : MISCELLANEOUS

Section	Callout	Replacement Part #	Description	Original Part #	JMVT12B C2N1	JMVT16C C2N1	JMVT17C C2N1	JMVT20D C2N1	
8	NS	S1-02522638000	BUSHING,SNAP	S1-02522638000	1	1	1	1	
8	NS	S1-02553925000	HARNESS,CLIMATE TALK COMM	S1-02553925000	1	1		1	
8	NS	S1-02813360000	STRIP,NEOPRENE	S1-02813360000	1	1	1	1	
8	NS	S1-02818910000	GROMMET,MOLDED,CLIMATE TALK HARNESS	S1-02818910000	1	1	1	1	

Suggested stocking items are shown with shaded item number.

Section : WIRING DIAGRAM / VFD PARAMETER

Section	Callout	Replacement Part #	Description	Original Part #	JMVT12B C2N1	JMVT16C C2N1	JMVT17C C2N1	JMVT20D C2N1	
9	9	6135663	WIRING DIAGRAM - 5.5 X 8.5 VS ECM	6135663	1	1	1	1	

Suggested stocking items are shown with shaded item number.

Section : HARNESES

Section	Callout	Replacement Part #	Description	Original Part #	JMVT12B C2N1	JMVT16C C2N1	JMVT17C C2N1	JMVT20D C2N1	
10	NS	S1-02553925000	HARNESS,CLIMATE TALK COMM	S1-02552098000			1		

Suggested stocking items are shown with shaded item number.

Model series repair parts lists are generated for each model number from the last production bill of material.

Major components and suggested stocking items are shown with shaded item number.

Repair parts lists are subject to change without notice.

TO ORDER AUTHORIZED FACTORY REPLACEMENT PARTS - Contact your Source1 HVAC Parts Distributor or visit our website at www.Source1Parts.com for a Distributor and Dealer listing.

Copyright © 2025 by Johnson Controls Inc. All rights reserved.

Johnson Controls Unitary Products